

 **SOREDEX**



**CRANEX<sup>®</sup> D**

When fast workflow  
is of essence



## Benefits at a glance

### Quality

- Excellent overall diagnostic image quality
- High Quality (HiQ) panoramic programs for optimized images
- Stable patient positioning for optimal image quality
- Reliability proven in thousands of installations

### Ease of use

- Easy control panel for straightforward and fast operation
- Automated and optimized exposure settings
- Wide anterior layer thickness facilitates patient position even with patients with malocclusion

### Flexibility

- Cephalometric option can be configured for both left- and right-handed
- Single or dual sensor design for optimal workflow
- Compatible with a wide variety of imaging software
- Small footprint saves office space



## 2D imaging in high volumes

CRANEX® D is a modern high quality digital panoramic and cephalometric imaging system. Clear, precise and dynamic digital X-ray images, with stable, comfortable patient positioning, make your day-to-day diagnostics easy and accurate. The simple, hands-on design supports fluent workflow for excellent care.

CRANEX® D is built for contemporary high-pace dental care, where reliability is key.



## Optimized patient positioning

Optimal image quality can only be achieved if the patient is positioned correctly and is aided to remain stationary during the exposure. CRANEX® D's three positioning lights, swivel mirror, control panel in the column for quick access and 5-point head support allow you to position the patient correctly

The open design and unique column increase patient comfort and allow easy access for handicapped or wheelchair-bound patients.

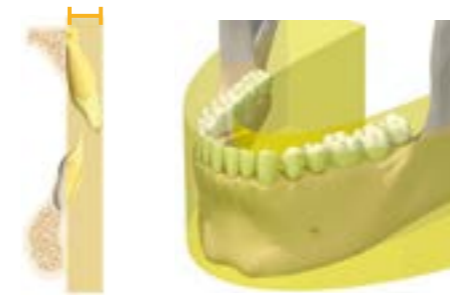
- Open design for accessibility
- Rigid 5-point head holder assembly
- Easily adjustable, self-locking temple supports
- Familiar three laser lights for accurate positioning
- Imaging in standing and sitting positions

The Automatic Exposure Setting (AES) speed up imaging workflow by recommending proper exposure values based on the size of the patient's head. You may override the recommended values, if required, before the exposure.

## Excellent image quality

The unique Variable Panoramic Collimator (VPC) is one of the keys to the outstanding panoramic image quality of CRANEX® D. By narrowing the width of the collimator while imaging the anterior teeth, we are able to expand the focal trough by 50% compared to conventional fixed collimation. The advantage is superb anterior image quality regardless of the patient's dentition.

The VPC is patented technology by SOREDEX.



**Typical panoramic system**

Most panoramic systems have a narrow anterior layer thickness, which leads to difficulty in positioning all of a patient's dentition within the focal trough.



**CRANEX® D**

CRANEX® D's anterior layer thickness is 50% wider than traditional techniques. The result is superb anterior image quality.



CRANEX® D's excellent signal-to-noise ratio, high resolution, wide dynamic range, wide anterior layer thickness and stable patient positioning provide superior image quality and more diagnostic value.

# Imaging programs

With CRANEX® D you can perform standard, child, pediatric or sectional panoramic examinations as well as TMJ extraoral Bitewing and sinus imaging.



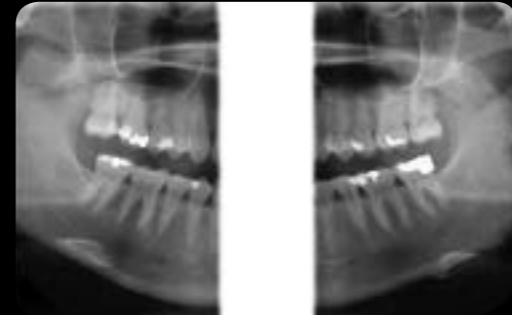
## Adult panoramic

All panoramic programs include automatic spinal compensation for an excellent view of the anterior teeth without a distracting spinal shadow.



## Child panoramic

A shorter exposure time and reduced exposure field lowers patient dose.



## Extraoral Bitewing

Bitewing images can be taken from both sides or limited to right or left section.



## Cephalometric

Lateral images can be taken with CRANEX® D.



## Cephalometric

PA images can be taken with CRANEX® D.



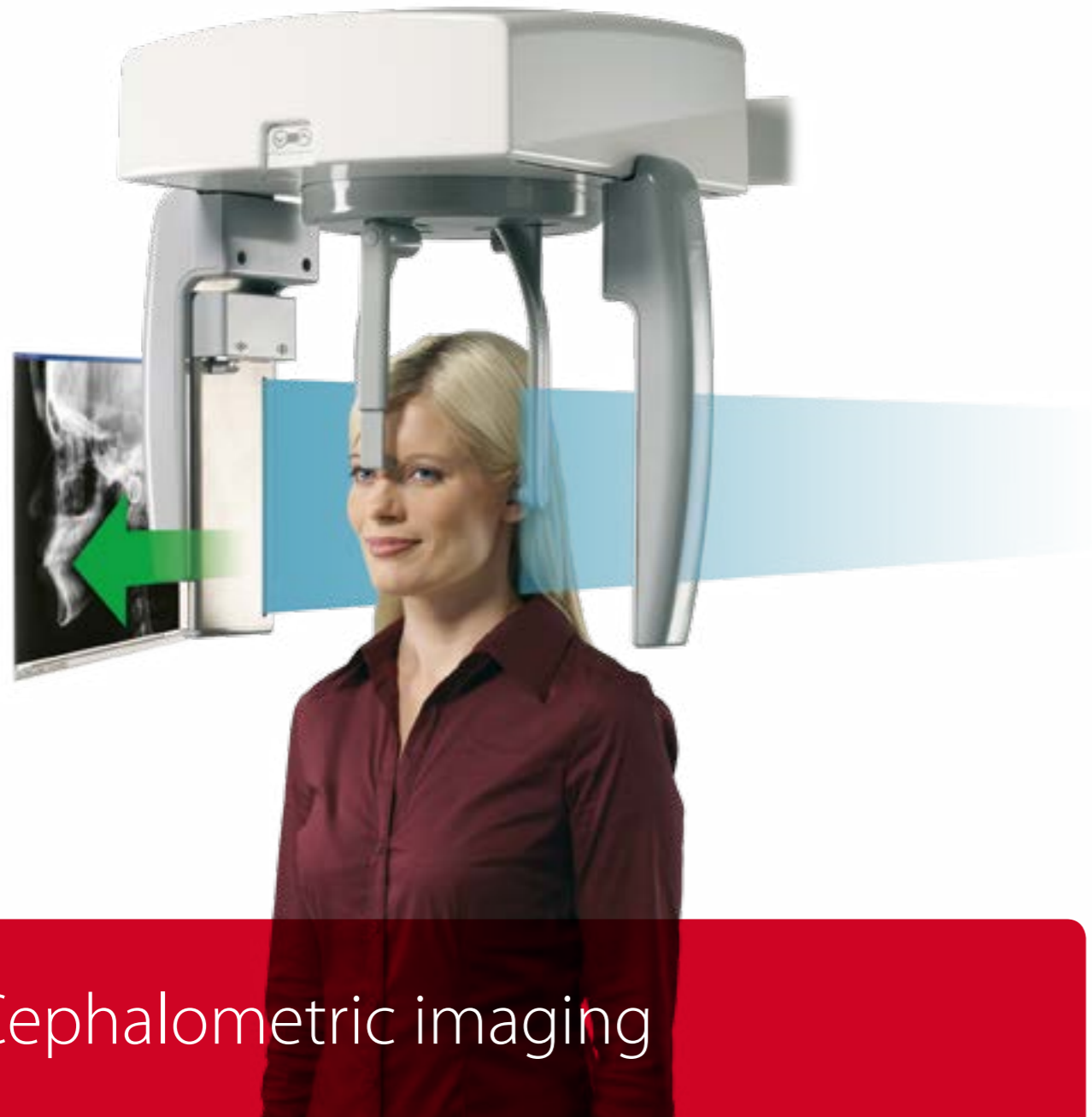
## Carpus

Optional Carpus imaging is also available with CRANEX® D Ceph. (not in North America)



## Sectional Imaging

Any combination of 1 to 5 panoramic image sections can be selected. This reduces the patient radiation dose as only the region of interest is exposed.



## Maximum flexibility

CRANEX® D Ceph can be equipped as a single or dual sensor system for optimal workflow. Cephalometric capabilities can be added at any time to CRANEX® D. This allows CRANEX® D to grow along with your practice. CRANEX® D panoramic unit is easily upgradeable to a left- or right-handed cephalometric unit in the field.



Head support in the lateral position.



Head support in the PA projection. The nasion support is rotated out of the way.



**Cephalometric field sizes**  
 Full width: 22 x 26 cm (8.66" x 10.24")  
 Reduced width: 22 x 18 cm (8.66" x 7.09")

## Cephalometric imaging

CRANEX® D's cephalometric option can be configured as either left-handed or right-handed for flexible installation. Soft tissue filtration is adjusted automatically for the best diagnostic quality possible. With the use of the patented AES function, exposure values are selected according to patient size.



### Enhanced cephalometric imaging geometry

CRANEX® D features advanced cephalometric imaging movements that provide a true central projection image. This results in non-distorted constant magnification in both the vertical and horizontal planes.

# Technical data



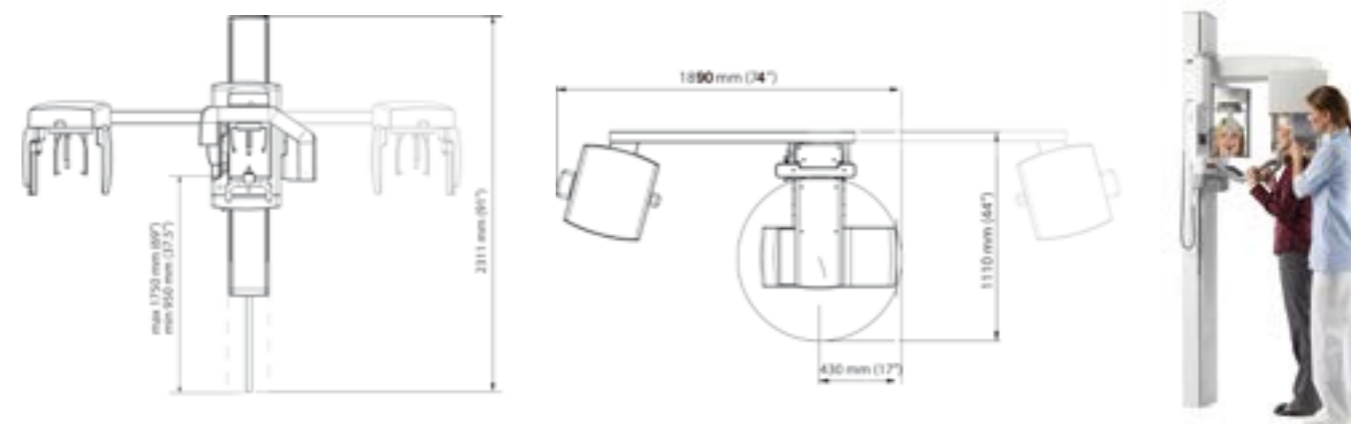
Easy workflow combined with diagnostic value

## 11 second fast scan – 17 second HiQ scan

Superb panoramic image quality can be achieved even with the fast panoramic programs. These programs are especially suitable for follow-up patients and in busy clinics.

Even better high quality images are achieved with High Quality (HiQ) panoramic programs designed for more challenging diagnostic tasks. Automatically optimized exposure values ensures patient specific and operation convenience.

Designed for people, CRANEX® D combines imaging safety, reliability and simplified workflow enabling fast patient throughput.



### General

Generator	High frequency DC generator, operating frequency 40 kHz
Focal spot size	0.5 mm
Minimum total filtration	2.7 mm Al
Line voltage	230/240 Vac ±10% / 115 Vac (50/60 HZ)
Anode voltage	57 - 85 kV
Anode current	10 mA
Exposure time	17.6 s High Quality panoramic, 11 s fast panoramic, 8 - 20 s cephalometric
SID	520 mm (20.47") panoramic, 1721 mm (67.75") cephalometric
Fusing	8 A / 16 A slow (230/115 Vac)
Weight	Pan 120 kg (264 lbs), Ceph 165 kg (363 lbs)
Electrical safety classification	EN 60601-1 class 1/B
Color	RAL 7040, RAL 9003

### Digital Unit

Sensor	CCD-detector
Active sensor surface	PAN: 147.5 x 6.1 mm, CEPH: 221.2 x 6.1 mm
Pixel size sensor	48 µm
Pixel size image	96 µm
File size	PAN max: 9.5 MB, CEPH max: 11.5 MB

### Workstation PC requirements\*

Operating system	Windows 8/8.1, Windows 7, Windows Vista
------------------	---

\* For full details on supported PC requirements, please contact your local distributor for the latest information.

CRANEX® D is compatible with your choice of several software options.

- **SCANORA® SW** provides a full range of imaging tools for viewing and planning. Network and DICOM licences are available.
- **DIGORA® for Windows** offers a comprehensive set of imaging tools for your day-to-day imaging needs. Network multi-user versions and full DICOM support are available as options.
- **CliniView™ XV (US only)** offers the capability of capturing images from all of the digital treatment planning devices. It is geared to be used in operatories for quick and easy image capture, viewing and treatment planning.
- **SOREDEX® TWAIN** utilizes the industry standard TWAIN interface to capture images directly into 3rd party imaging applications.
- **SorCom** provides a simple "DICOM bridge" for capturing images to a PACS/DICOM environment, where 3rd party DICOM imaging software is used for viewing images.

**Head office and factory:**

**SOREDEX**

Nahkelantie 160, Tuusula  
FI-04300 Tuusula  
Finland  
Tel. +358 10 270 2000  
Fax +358 9 701 5261  
info@soredex.com

**SOREDEX USA**

1245 W. Canal Street  
Milwaukee, WI 53233  
U.S.A.  
Tel. +1 800 558 6120  
Fax +1 414 481 8665  
usainfo@soredex.com

**SOREDEX Germany**

Schutterstrasse 12  
77746 Schutterwald  
Germany  
Tel: +49 (0) 781 28 41 98-0  
Fax: +49 (0) 781 28 41 98-30  
kontakt@soredex.de

# Digital imaging made easy<sup>TM</sup>

SOREDEX designs, manufactures and markets easy to use and innovative imaging solutions for dental and maxillofacial professionals. SOREDEX portfolio covers wide range of applications from intraoral, panoramic, cephalometric extending to large field-of-view cone beam CT for demanding ENT and CMF diagnostics. Close co-operation with imaging professionals give us deep insight of how to incorporate true diagnostic value to clinical work.

Our products are known for reliability, simplified workflow and excellent image quality. We are committed to fulfill these promises today and in the future.

SOREDEX®/CRANEX®/DIGORA®/SCANORA®/ Digital imaging made easy™ is a registered trademark / a common law trademark of SOREDEX. Other product names and trademarks are the property of their respective owners. CE-marked, NB (CE) number 0537.

Electrical safety meets the IEC 60601-1 standard. Manufacturing complies with ISO 13485:2003, ISO 9001:2008 and ISO 14001:2004.

SOREDEX reserves the right to make changes in specifications and features shown herein at any time without notice or obligation. Contact your SOREDEX representative for the most up-to-date information.

© 2015 SOREDEX

[www.soredex.com](http://www.soredex.com) • [www.soredex.de](http://www.soredex.de) • [www.soredex.com/usa](http://www.soredex.com/usa)

Visit: [www.soredex.com](http://www.soredex.com)